



Cambridge International AS & A Level

CANDIDATE
NAME

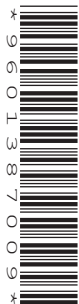
--

CENTRE
NUMBER

--	--	--	--	--

CANDIDATE
NUMBER

--	--	--	--



COMPUTER SCIENCE

9618/22

Paper 2 Fundamental Problem-solving and Programming Skills

October/November 2021

2 hours

You must answer on the question paper.

You will need: Insert (enclosed)

INSTRUCTIONS

- Answer **all** questions.
- Use a black or dark blue pen.
- Write your name, centre number and candidate number in the boxes at the top of the page.
- Write your answer to each question in the space provided.
- Do **not** use an erasable pen or correction fluid.
- Do **not** write on any bar codes.
- You may use an HB pencil for any diagrams, graphs or rough working.
- Calculators must **not** be used in this paper.

INFORMATION

- The total mark for this paper is 75.
- The number of marks for each question or part question is shown in brackets [].
- No marks will be awarded for using brand names of software packages or hardware.
- The insert contains all the resources referred to in the questions.

This document has **20** pages. Any blank pages are indicated.

Refer to the **insert** for the list of pseudocode functions and operators.

1 (a) A programmer applies decomposition to a problem that she has been asked to solve.

Describe decomposition.

.....

.....

.....

.....

.....

..... [2]

(b) The following pseudocode assigns a value to an element of an array:

```
ThisArray[n] ← 42
```

Complete the following table by writing the answer for each row.

Answer

The number of dimensions of <code>ThisArray</code>	
The technical terms for minimum and maximum values that the variable <code>n</code> may take	
The technical term for the variable <code>n</code> in the pseudocode statement	

[3]

(c) Complete the pseudocode expressions so that they evaluate to the values shown.

Any functions and operators used must be defined in the **insert**.

Expression	Evaluates to
..... ('C')	67
2 * ("27")	54
..... (27 /)	13
"Sub" & ("Abstraction" , ,)	"Subtract"

[4]

- (d) Evaluate the expressions given in the following table. The variables have been assigned values as follows:

PumpOn ← TRUE
PressureOK ← TRUE
HiFlow ← FALSE

Expression	Evaluates to
PressureOK AND HiFlow	
PumpOn OR PressureOK	
NOT PumpOn OR (PressureOK AND NOT HiFlow)	
NOT (PumpOn OR PressureOK) AND NOT HiFlow	

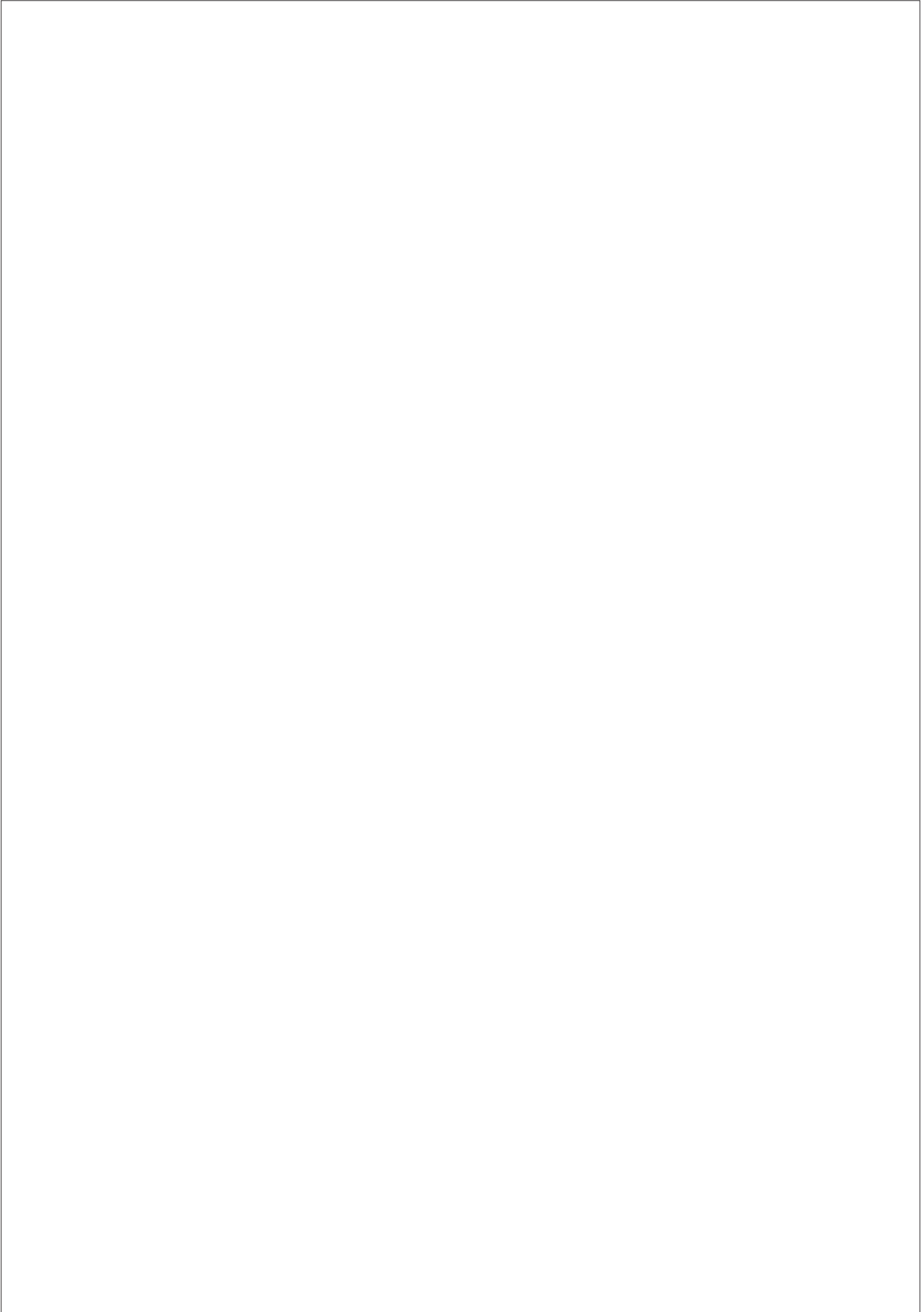
[2]

2 (a) An algorithm will:

1. input an integer value
2. jump to step 6 if the value is zero
3. sum and count the positive values
4. sum and count the negative values
5. repeat from step 1
6. output the two sum values and the two count values.

Draw a program flowchart on the following page to represent the algorithm.

Note that variable declarations are not required in program flowcharts.



[5]

(b) A software company is working on a project to develop a website for a school.

The school principal has some ideas about the appearance of the website but is unclear about all the details of the solution. The principal would like to see an initial version of the website.

(i) Identify a life cycle method that would be appropriate in this case.

Give a reason for your choice.

Life cycle method

Reason

.....

.....

.....

[2]

(ii) The website project has progressed to the design stage.

State **three** activities that will take place during the design stage of the program development life cycle.

1

2

3

[3]

3 A programmer is writing a program to help manage clubs in a school.

Data will be stored about each student in the school and each student may join up to three clubs.

The data will be held in a record structure of type `Student`.

The programmer has started to define the fields that will be needed as shown in the following table.

Field	Typical value	Comment
<code>StudentID</code>	"CF1234"	Unique to each student
<code>Email</code>	"Carmen47@xyzmail.com"	Contains letters, numbers and certain symbols
<code>Club_1</code>	1	Any value in the range 1 to 99 inclusive
<code>Club_2</code>	14	Any value in the range 1 to 99 inclusive
<code>Club_3</code>	27	Any value in the range 1 to 99 inclusive

(a) (i) Write pseudocode to declare the record structure for type `Student`.

.....

.....

.....

.....

.....

.....

.....

.....

..... [3]

(ii) A 1D array `Membership` containing 3000 elements will be used to store the student data.

Write pseudocode to declare the `Membership` array.

.....

..... [2]

(iii) Some of the elements of the array will be unused.

Give an **appropriate** way of indicating an unused array element.

.....

..... [1]

(iv) Some students are members of less than three clubs.

State **one** way of indicating an unused club field.

.....

..... [1]

4 The following is a procedure design in pseudocode.

Line numbers are given for reference only.

```

10 PROCEDURE Check(InString : STRING)
11     DECLARE Odds, Evens, Index : INTEGER
12
13     Odds ← 0
14     Evens ← 0
15     Index ← 1
16
17     WHILE Index <= LENGTH(InString)
18         IF STR_TO_NUM(MID(InString, Index, 1)) MOD 2 <> 0 THEN
19             Odds ← Odds + 1
20         ELSE
21             Evens ← Evens + 1
22         ENDIF
23         Index ← Index + 1
24     ENDWHILE
25
26     CALL Result(Odds, Evens)
27 ENDPROCEDURE
    
```

(a) Complete the following table by giving the answers, using the given pseudocode.

Answer

A line number containing a variable being incremented	
The type of loop structure	
The number of functions used	
The number of parameters passed to STR_TO_NUM()	
The name of a procedure other than Check()	

[5]

(b) The pseudocode includes several features that make it easier to read and understand.

Identify **three** of these features.

- 1
- 2
- 3

[3]

(c) (i) The loop structure used in the pseudocode is not the most appropriate.

State a more appropriate loop structure **and** justify your choice.

Loop structure

Justification

.....

.....

[2]

(ii) The appropriate loop structure is now used. Two lines of pseudocode are changed and two lines are removed.

Write the line numbers of the two lines that are removed.

.....

..... [1]

- 5 A company has several departments. Each department stores the name, email address and the status of each employee in that department in its own text file. All text files have the same format.

Employee details are stored as three separate data strings on three consecutive lines of the file. An example of the first six lines of one of the files is as follows:

File line	Comment
1	First employee name
2	First email address
3	First employee status
4	Second employee name
5	Second email address
6	Second employee status

A procedure `MakeNewFile()` will:

- take three parameters as strings:
 - an existing file name
 - a new file name
 - a search status value
- create a new text file using the new file name
- write all employee details to the new file where the employee status is **not** equal to the search status value
- count the number of sets of employee details that were in the original file
- count the number of sets of employee details that were written to the new file
- produce a summary output.

An example summary output is as follows:

```
File Marketing contained 54 employee details
52 employee sets of details were written to file NewMarketingList
```

- (a) Write pseudocode for the procedure `MakeNewFile()`.

.....

.....

.....

.....

.....

.....

.....

.....

.....

.....

.....

(b) An alternative format could be used for storing the data.

A text file will still be used.

(i) Describe the alternative format.

.....
..... [1]

(ii) State **one** advantage **and one** disadvantage of the alternative format.

Advantage
.....
Disadvantage
..... [2]

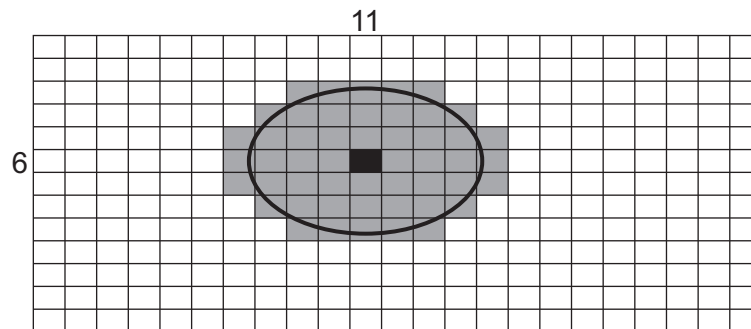
- 6 A mobile phone has a touchscreen. The screen is represented by a grid, divided into 800 rows and 1280 columns.

The grid is represented by a 2D array `Screen` of type `INTEGER`. An array element will be set to 0 unless the user touches that part of the screen.

Many array elements will be set to 1 by a single touch of a finger or a stylus.

The following diagram shows a simplified touchscreen. The dark line represents a touch on the screen. All grid elements that are wholly or partly inside the outline will be set to 1. These elements are shaded.

The element shaded in black represents the centre point of the touch.



A program is needed to find the coordinates (the row and column) of the centre point. The centre point on the diagram shown is row 6, column 11.

Assume:

- the user may only touch one area at a time
- screen rotation does not affect the touchscreen.

The programmer has decided to use global values `CentreRow` and `CentreCol` as coordinate values for the centre point.

The programmer has started to define program modules as follows:

Module	Description
<code>FirstRowSet()</code>	<ul style="list-style-type: none"> • Searches for the first row that has an array element set to 1 • Returns the index of that row (1 is the first row) • Returns -1 if there are no elements set to 1
<code>LastRowSet()</code>	<ul style="list-style-type: none"> • Searches for the last row that has an array element set to 1 • Returns the index of that row • Returns -1 if there are no elements set to 1
<code>FirstColSet()</code>	<ul style="list-style-type: none"> • Searches for the first column that has an array element set to 1 • Returns the index of that column (1 is the first column) • Returns -1 if there are no elements set to 1
<code>LastColSet()</code>	<ul style="list-style-type: none"> • Searches for the last column that has an array element set to 1 • Returns the index of that column • Returns -1 if there are no elements set to 1

(b) Describe a feature of your solution to **part (a)** that indicates the pseudocode represents an efficient algorithm.

.....
.....
.....
..... [2]

(c) The programmer decides to produce a **single** search module `FindSet()`, which will be able to perform each of the individual searches performed by the first four modules in the table.

(i) Outline the changes needed to convert one of the existing modules into this single module.

.....
.....
.....
.....
..... [2]

(ii) Give one possible advantage **and** one possible disadvantage of combining the four searches into a single module.

Advantage

.....

Disadvantage

..... [2]

BLANK PAGE

Permission to reproduce items where third-party owned material protected by copyright is included has been sought and cleared where possible. Every reasonable effort has been made by the publisher (UCLES) to trace copyright holders, but if any items requiring clearance have unwittingly been included, the publisher will be pleased to make amends at the earliest possible opportunity.

To avoid the issue of disclosure of answer-related information to candidates, all copyright acknowledgements are reproduced online in the Cambridge Assessment International Education Copyright Acknowledgements Booklet. This is produced for each series of examinations and is freely available to download at www.cambridgeinternational.org after the live examination series.

Cambridge Assessment International Education is part of the Cambridge Assessment Group. Cambridge Assessment is the brand name of the University of Cambridge Local Examinations Syndicate (UCLES), which itself is a department of the University of Cambridge.